

Best for 100-150 mm depth light
Boxes and channel letters



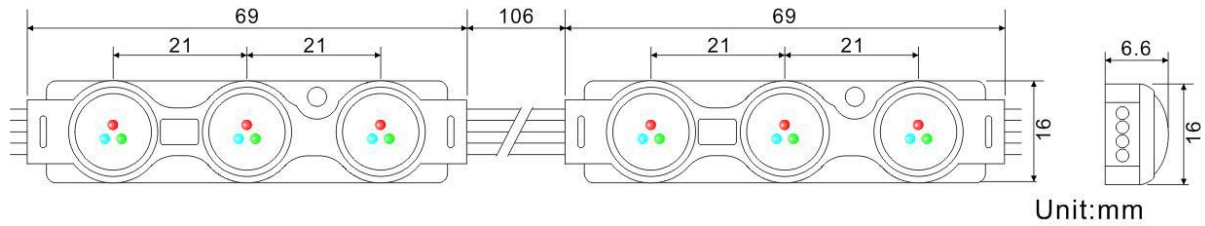
Features:

- Powered by 5050 led
- Injection molding process
- Protection class up to IP67
- 20pcs per series

Applications:

- Medium depth channel letters
- Medium depth light boxes
- Recommended depth 10-15cm

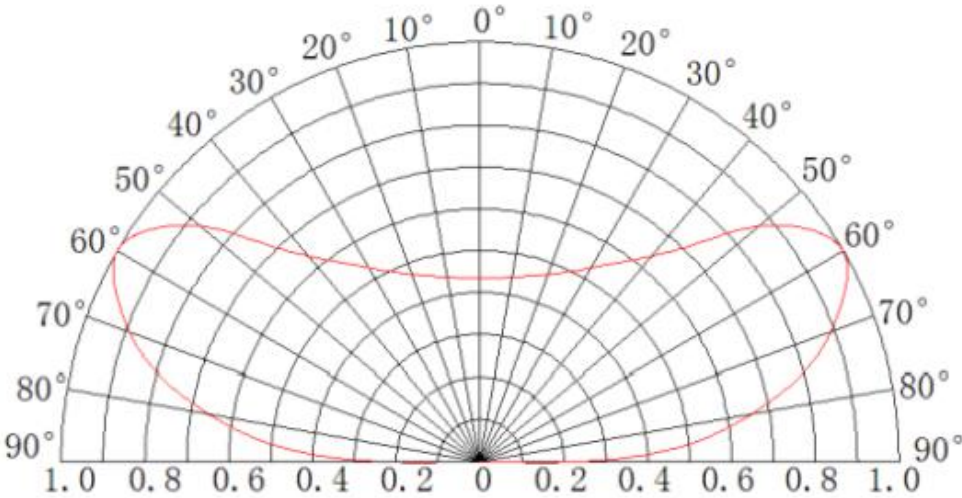
Dimensions



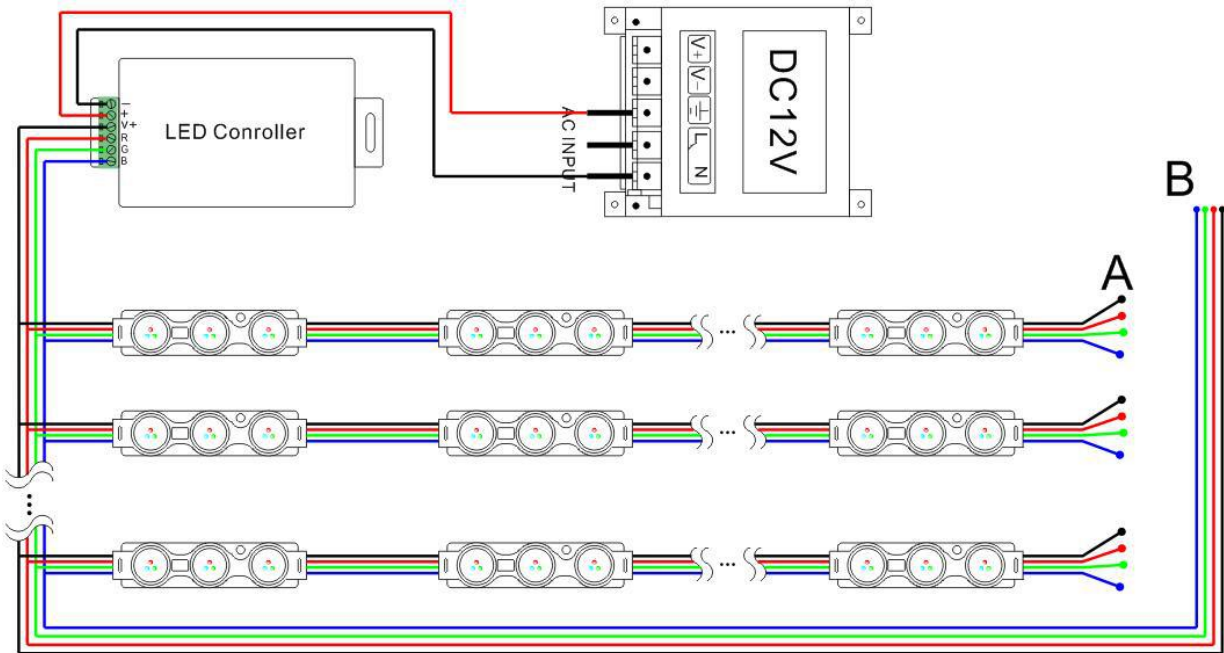
Technical parameters

Item	Parameter	Unit
LED Type	SMD5050	--
LED Quantity	3	pcs
Power	0.72	W
Working Voltage	DC12	V
Working Current	60	mA
Luminous Flux	6600	mcd
Beam Angle	160	°
Driving mode	Constant Voltage	--
Dimension	70*16*8.1	mm
Color Temperature	RGB	---
Module's Center Dis.	175	mm
Concatenation	20	pcs
IP Rating	IP67	--
Working Temp.	-20~45	°C

Led module light distribution graph



Installation



- A. Max. number of modules in one chain when the power supplied from single end -20pcs
- B. Max. number of modules in one chain when the power supplied from both ends -40pcs

NOTE:

- Incorrect connection may cause short circuit and product failure
- Make sure power supply is unplugged during LED wires connection
- Power supply should be DC12V

Applications

